

IME RE0110

IME-RE0110

Shanghai unitoon InformaTion Techology Co;Ltd.

(TEL) 02161316727

FAX 02120350829

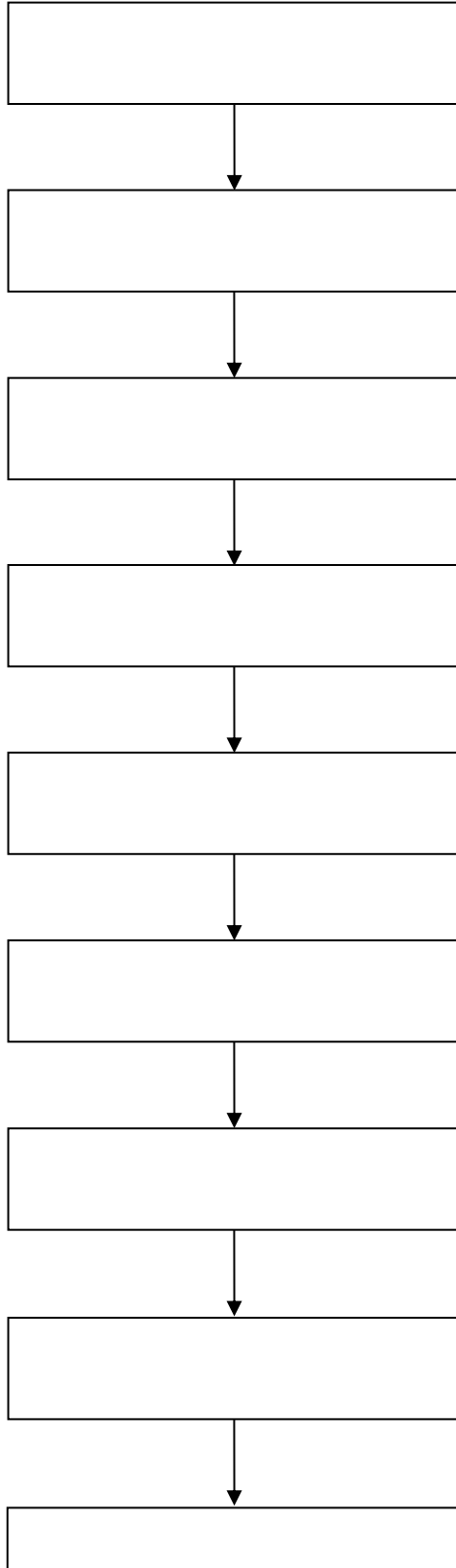
2 0 1 2 1 0

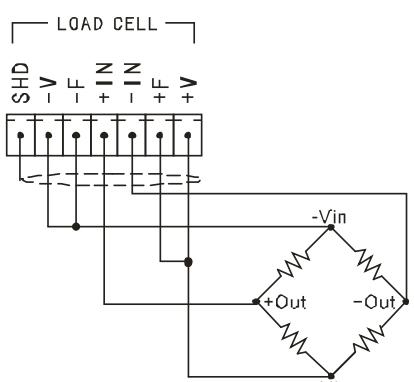
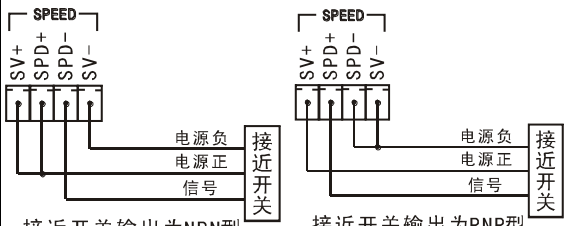
[www.unitoon.cn](http://www.unitoon.cn)

99

1 4

# I ME-RE0110



|   |   |   |   |    |  |   |    |  |   |     |  |   |     |  |   |    |  |   |    |  |   |     |  |
|---|---|---|---|----|--|---|----|--|---|-----|--|---|-----|--|---|----|--|---|----|--|---|-----|--|
|   |   |   |   |    |  |   |    |  |   |     |  |   |     |  |   |    |  |   |    |  |   |     |  |
|   | <p style="text-align: center;">12 350</p>  | <table border="1" style="width: 100%; border-collapse: collapse;"> <tr><td style="width: 20px;">1</td><td style="width: 50px;">+V</td><td style="width: 20px;"></td></tr> <tr><td>2</td><td>+F</td><td></td></tr> <tr><td>3</td><td>-IN</td><td></td></tr> <tr><td>4</td><td>+IN</td><td></td></tr> <tr><td>5</td><td>-F</td><td></td></tr> <tr><td>6</td><td>-V</td><td></td></tr> <tr><td>7</td><td>SHD</td><td></td></tr> </table> <p style="text-align: right; margin-top: 20px;">1 2<br/>5 6 ,</p> | 1 | +V |  | 2 | +F |  | 3 | -IN |  | 4 | +IN |  | 5 | -F |  | 6 | -V |  | 7 | SHD |  |
| 1 | +V  |   |   |    |  |   |    |  |   |     |  |   |     |  |   |    |  |   |    |  |   |     |  |
| 2 | +F  |   |   |    |  |   |    |  |   |     |  |   |     |  |   |    |  |   |    |  |   |     |  |
| 3 | -IN   |   |   |    |  |   |    |  |   |     |  |   |     |  |   |    |  |   |    |  |   |     |  |
| 4 | +IN   |   |   |    |  |   |    |  |   |     |  |   |     |  |   |    |  |   |    |  |   |     |  |
| 5 | -F  |   |   |    |  |   |    |  |   |     |  |   |     |  |   |    |  |   |    |  |   |     |  |
| 6 | -V  |   |   |    |  |   |    |  |   |     |  |   |     |  |   |    |  |   |    |  |   |     |  |
| 7 | SHD   |   |   |    |  |   |    |  |   |     |  |   |     |  |   |    |  |   |    |  |   |     |  |
|   | <p style="text-align: center;">5<br/>[tad1 *].***</p>   |   |   |    |  |   |    |  |   |     |  |   |     |  |   |    |  |   |    |  |   |     |  |
|   |    | <p style="text-align: center;">speed 0</p>  |   |    |  |   |    |  |   |     |  |   |     |  |   |    |  |   |    |  |   |     |  |
|   | <p style="text-align: center;">9<br/>[PUSL 00000</p>  |   |   |    |  |   |    |  |   |     |  |   |     |  |   |    |  |   |    |  |   |     |  |
|   |   | <p style="text-align: center;">0.01</p>   |   |    |  |   |    |  |   |     |  |   |     |  |   |    |  |   |    |  |   |     |  |
|   | <p style="text-align: center;">1 3<br/>[Pt 00000</p>  | <p style="text-align: right;">PA<br/>PA</p>   |   |    |  |   |    |  |   |     |  |   |     |  |   |    |  |   |    |  |   |     |  |
|   |   |   |   |    |  |   |    |  |   |     |  |   |     |  |   |    |  |   |    |  |   |     |  |
|   |   |   |   |    |  |   |    |  |   |     |  |   |     |  |   |    |  |   |    |  |   |     |  |
|   |   |   |   |    |  |   |    |  |   |     |  |   |     |  |   |    |  |   |    |  |   |     |  |

|    |    |
|----|----|
|    | 1  |
|    | 2  |
|    | 3  |
|    | 5  |
|    | 6  |
|    | 8  |
|    | 9  |
| 1. | 9  |
| 2. | 12 |
| 3. | 12 |
| 4. | 12 |
| 5. | 13 |
| 6. | 13 |
| 7. | 14 |
|    | 15 |
| 1. | 15 |
| 2. | 15 |
| 3. | 16 |
| 4. | 16 |
| 5. | 16 |
| 6. | 16 |
|    | 17 |
|    | 18 |
|    | 19 |
|    | 22 |
|    | 23 |
|    | 25 |

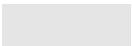
**IME-RE0110**

|    |        | IME-RE0110              | YT822L7    | YT822L8(L8P)                 |
|----|--------|-------------------------|------------|------------------------------|
|    |        |                         |            |                              |
| mm |        | 160×85                  |            | 300×200×220<br><br>L8<br>L8P |
|    |        | 151×75×126              | 151×75×106 |                              |
|    |        | 152×76                  |            |                              |
|    |        | AC 85 265V<br>49Hz 51Hz | DC 24V     | AC 85 265V<br>49Hz 51Hz      |
|    |        | 1                       |            |                              |
|    |        | 4                       | 4          |                              |
|    |        | 4                       | 4          |                              |
|    | 4-20mA | 1                       | 1          |                              |
|    | 4-20mA | 2                       | 2          |                              |
|    |        | 485 232                 |            |                              |

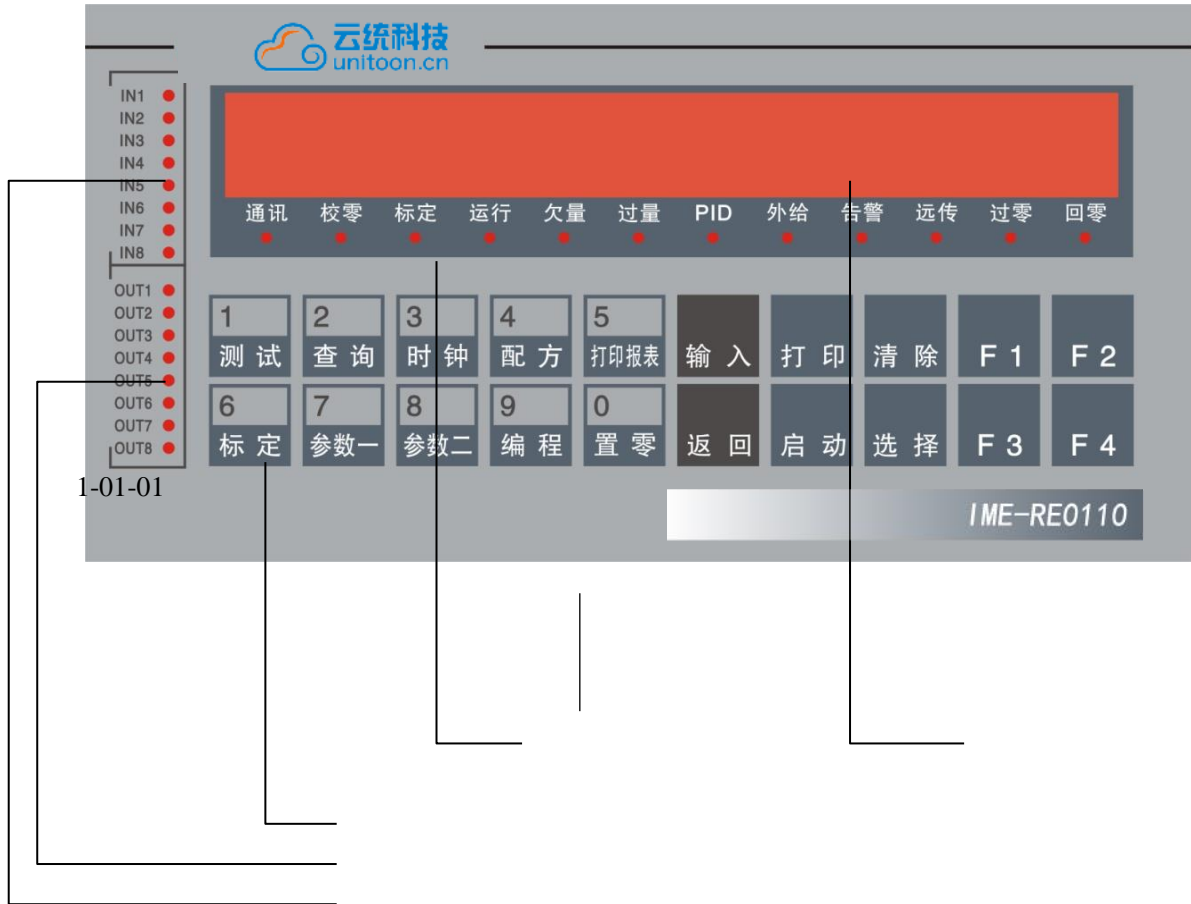


A/D  
4 20mA  
4 20mA  
4  
4

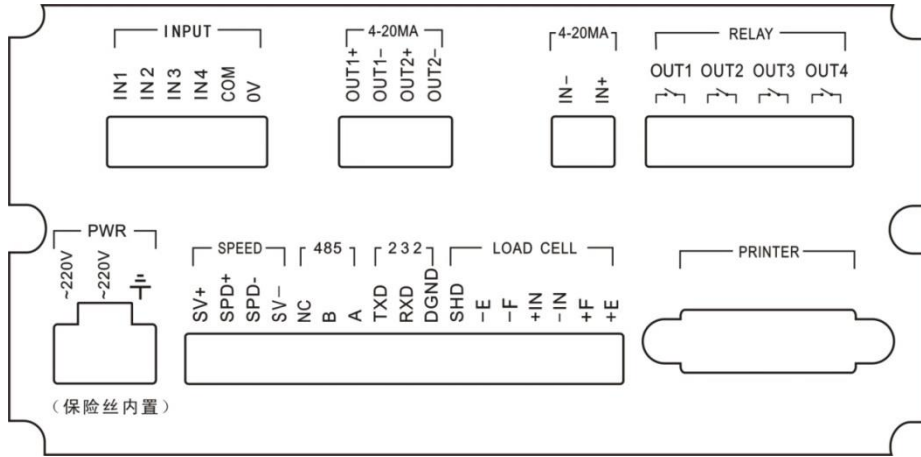
RAM >20000h  
EEPROM  
2



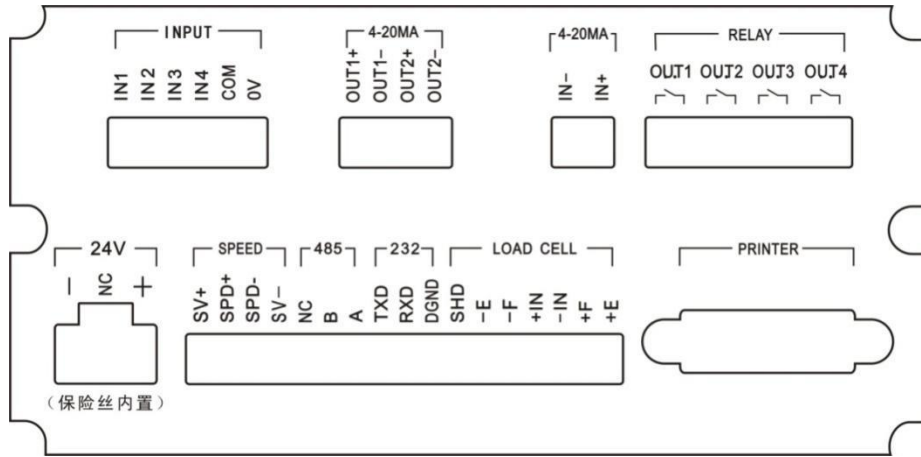
A/D -20mV +20mV  
A/D 40mV  
A/D 100  
• A/D 100 /  
A/D <0.01 FS  
• 8PPM/ (TYP)  
• 0.3μ V/ (MAX)  
: DC5V,I>350mA 12 350 24 700  
: DC24V/AC220V  
: -10 40  
<90



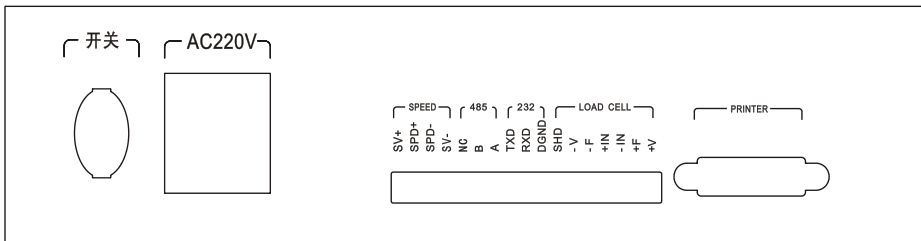
|   |      |      |     |        |
|---|------|------|-----|--------|
| " | "    | ---- |     |        |
| " | "    | ---- |     |        |
| " | "    | ---- |     |        |
| " | "    | ---- |     |        |
| " | "    | ---- | PID |        |
| " | "    | ---- | PID |        |
| " | PID" | ---- | PID |        |
| " | "    | ---- |     | 4-20mA |
| " | "    | ---- |     |        |
| " | "    | ---- |     |        |
| " | "    | ---- |     |        |
| " | "    | ---- |     |        |



IME-RE0110



YT822L7

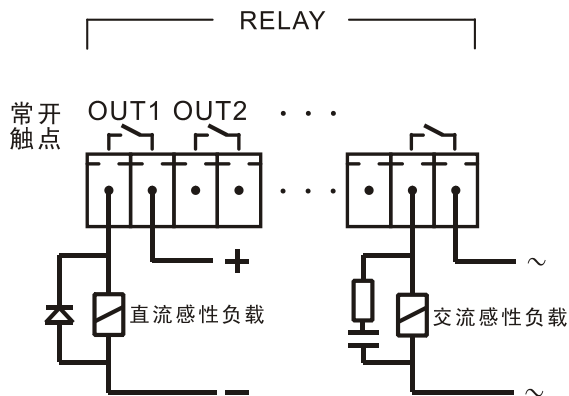
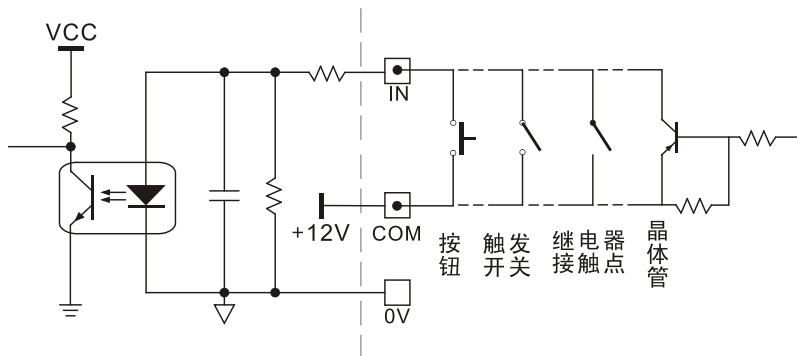


YT822L8/L8P



1

|  |           |                           |           |               |
|--|-----------|---------------------------|-----------|---------------|
|  |           | DC6 24V<br>" "<br>DC3V( ) | IN*       | COM<br>>=60ms |
|  | RC<br>0.3 |                           | R 100 300 | C             |

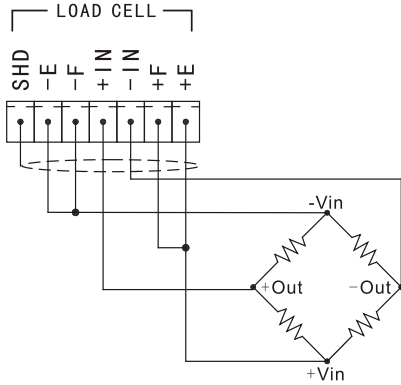


1

DC5V

200mA

12 350



|   |     |  |
|---|-----|--|
| 1 | +V  |  |
| 2 | +F  |  |
| 3 | -IN |  |
| 4 | +IN |  |
| 5 | -F  |  |
| 6 | -V  |  |
| 7 | SHD |  |

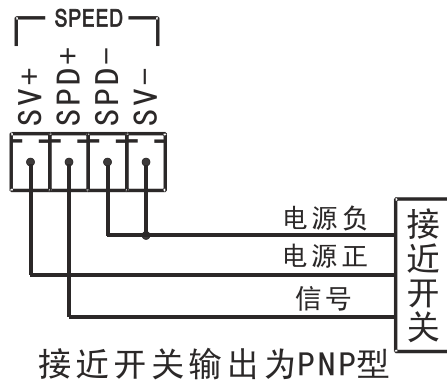
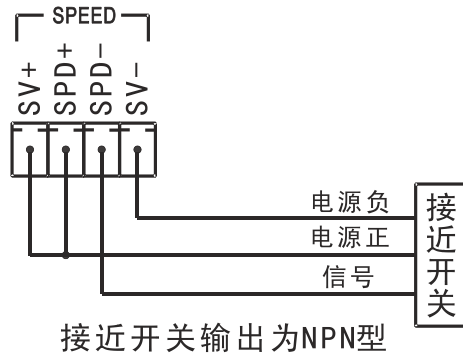
• ( 6 ( ) ) • 6 •  
( 1 2 5 6 ) •

.... 1 2 5  
6 ,

[ ] [ 5 ] [ ]  
[ tad1 \*\*. ]\*\*

speed

4



[ ] [ 9 ] [ ] [ PUSL 00p00

```

[ ]
[ ] [test] 01
1 [test] 01 LED
2 [test] 02 [test] key 00
[ ]
3 [test] 03 [test] 0000
[ ]
]
4 [test] 04 [test] 00
1 10
5 [test] 05 01 10 [ ] A/D [test] 1 ***.***
6 [test] 06 [test] sio -] 0.1uF
RS232 RXD TXD [test] sio ] 1
RS232 0.1uF RS485
A B [test] sio ] 2 RS485
7 [test] 07
8 [test] 08 RAM [test] good RAM
9 [test] 09 [ ]
10 [test] 10: 1 4-20mA [test] 1 04.0 1#
4.0mA [ ]
[ ] [ ] [ ] [ ] [test] 1 10.0 [ ]
] 1# 10 0mA
[F1][F2][F3][F4] [F1]— [F2]— [F3]— [F4]—
4.0mA 200mA
11 [test] :11 2 4-20mA [F1][F2][F3][F4]
[F1]— [F2]— [F3]— [F4]— 4.0mA
200mA
12 [test] ] 12 4-20mA [F1][F2][F3][F4]
[F1]— [F2]— [F3]— [F4]— 4.0mA
200mA
13 [test] ]:13
[PA] 13
[Pt 000.00
[PA]

```

|   |     |                          |   |
|---|-----|--------------------------|---|
|   |     |                          |   |
| 1 |     | [PASS***]*               |   |
| 2 | [ ] | [pp1----- ]<br>[pp1 822] | PP1 822 ,   |
| 3 | [ ] | [sel ]                   | 0-<br>1-<br>2-<br>3-<br>4½<br>5½<br>6½<br>7½<br>8-<br>9-  |
| 4 | [ ] | [Calp ]                  | 1   |
| 5 | [ ] | [SPEED ]                 | 0 - 10<br>1- 10 1-<br>10<br>11 - 19 IN1-IN9<br>10<br>21 - 29 IN1-IN9<br>10<br>31 - 38 OUT1OUT8<br>10<br>41 - 48 OUT1OUT8<br>10<br>50 - 4-20mA<br>54 - |
| 6 | [ ] | [P-A 0000]               | [ ][1][3]<br>7  |
| 7 | [ ] | [p-l 000.00]             |   |

|    |     |           |  |
|----|-----|-----------|--|
|    |     |           |  |
| 8  | [ ] | [Y-n abc] | a=0<br>b=0<br>c=0<br>a=1<br>b=1<br>c=1   |
| 9  | [ ] | [type ]   | X 0-1-<br>2-<br>Y 0-1-<br>2-24 ( 1121 1131 )<br>4-   |
| 10 | [ ] | [mode ]   | 0 -- :7 ASC +1<br>1 -- :7 ASC +1<br>2 -- :8 ASC<br>3 -- :7 ASC +1<br>(CHK)<br>4 -- :7 ASC +1<br>5 -- :7 ASC +1<br>6 -- :8 ASC<br>7 -- :7 ASC +1<br>8 --<br>20- modbus RTU<br>8 1 1<br>21- modbus RTU<br>8 1 1<br>22- modbus RTU<br>8 2 |
| 11 | [ ] | [addr ]   | 1 26 A Z   |
| 12 | [ ] | [bt ]     | 1-600 21200 31800 42400 54800<br>6- 96007-19200 8384009-57600 0-115200   |

|    |     |                |   |           |     |
|----|-----|----------------|---|-----------|-----|
| 13 | [ ] | [ typ20ma1 ]   | 1 4-20mA<br>9   | 0         | pid |
| 14 | [ ] | [ typ20ma2 ]   | 2 4-20mA<br>9   | 0         | pid |
| 15 | [ ] | [ ful20 000 ]  | 20mA  |           |     |
| 16 | [ ] | [ unit ]       | Unit  | 11        |     |
| 17 | [ ] | [ filt 00.00 ] |   |           |     |
| 18 | [ ] | [ dsp 0000 ]   | 1 ½<br>3 ½<br>4 ½<br>[PUSL *],*****<br>5 ½<br>[SUdo *],*****<br>6 ½<br>7 ½<br>8 ½<br>10 LED<br>DSP 00008<br>DSP 00038<br>[ ] " 8" | 4         | 7   |
| 19 | [ ] | [ t1 00.00 ]   |   | t1<t2<t3; |     |
| 20 | [ ] | [ t2 00.00 ]   | t3  | 0         |     |
| 21 | [ ] | [ t3 00.00 ]   | 0   | t1        | 24  |
| 22 | [ ] |                |   |           |     |

1

[F3]

[F4]

| Unit | 0 | 1 | 2 | 3 | 4 | 5 | 6 |
|------|---|---|---|---|---|---|---|
|      | / | / | / | / | / | / | / |

2

\*

|   |     |                |         |
|---|-----|----------------|---------|
|   |     |                |         |
| 1 |     | [sel ]0        | 8-1 1-3 |
| 2 | [1] | [sel ]1        |         |
| 3 | [ ] | [loop qd       |         |
| 4 | [ ] | [ -*.* * ca+0] |         |
| 5 |     |                |         |

" " " " " roSEt

3

|   |     |                |         |
|---|-----|----------------|---------|
|   |     |                |         |
| 1 |     | [sel ]0        | 8-1 1-3 |
| 2 | [2] | [sel ]2        |         |
| 3 | [ ] | [00 0000000    | [ ]     |
| 4 |     | [df ****]***** | = x     |
| 5 | [ ] |                |         |

4

|   |     |                |         |
|---|-----|----------------|---------|
|   |     |                |         |
| 1 |     | [sel ]0        | 8-1 1-3 |
| 2 | [3] | [sel ]3        |         |
| 3 | [ ] | [ -*.* * --- ] |         |
| 4 | [ ] |                |         |



5

|   |     |                |   |
|---|-----|----------------|---|
|   |     |                |   |
| 1 |     | [sel ]C        | <span style="border: 1px solid black; padding: 2px;">8-1</span> 1-3 |
| 3 | [4] | [sel ]4        | 4½  |
| 4 | [ ] | [ooo 01.]1     | ( mv) ( [ ])  |
| 5 | [ ] | [r *****.***]* | ( [ ] [[2] ])   |
| 6 | [ ] | [r-aset 00.]1  | ( mv) ( [ ] [[1] ])   |
| 7 | [ ] | [e-o *****]*   | ( [ ] [[3] ])   |
| 8 | [ ] |                |   |

1 [F3] [F4]  
 2 ar a,

1 (q): G : 0.5  
 $G_0 \quad q = G_0 / G,$   
 2 (L),  
 3 (M) u(mv/v)  
 4 p 1  
 5  $r = M / (qpLu)$   
 $M = 100 \quad q = 0.5, p = 50, L = 3.5( ), u = 2 \text{ mv/v}$   
 $r = 100 / (0.5 * 50 * 3.5 * 2) = 0.5714$

6

|   |     |             |   |
|---|-----|-------------|---|
|   |     |             |   |
| 1 |     | [sel ]C     | <span style="border: 1px solid black; padding: 2px;">8-1</span> 1-3 |
| 2 | [9] | [sel ]9     |   |
| 3 | [ ] | [df *****]* |   |
| 4 | [ ] |             |   |

7

1

2

pl

3

4

caf

|   |     |             |         |
|---|-----|-------------|---------|
|   |     |             |         |
| 1 |     | PL          | PA      |
| 2 |     | [sel ]C     | 8-1 1-3 |
| 3 | [5] | [sel ]5     |         |
| 4 | [ ] | [caf ***]*  |         |
| 5 | [ ] | [caf 00000  | ok      |
| 6 |     | [caf ***]** | 1<br>2  |
| 7 | [ ] |             |         |

9

8.

1

3

9.

4

5

1

12 ' [19c2 \*]\*\*\*\*\*

" " ---- RAM

" " ---- EEPROM

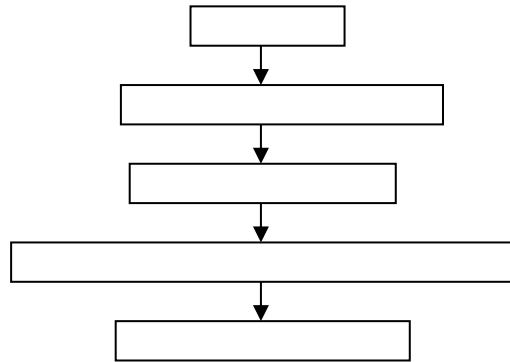
" " ----

" " ----

" " ----

" " ---- RAM

6



2

• 0" [ ] ,

|   |     |                |     |
|---|-----|----------------|-----|
|   |     |                |     |
| 1 | [ ] | [ pp1 ----]-   | 822 |
| 2 | [ ] | [ -*.*_* ca†0] |     |
| 3 |     |                |     |

3

[ ] [c lr ] O [Q[ ]  
[1][ ] [2][ ] c  
Lr

4

|   |                   |               |          |
|---|-------------------|---------------|----------|
|   |                   |               | .        |
| 1 |                   | [pass *]*     |          |
| 2 | [ ]               | [d yy .m]h    | yy mm dd |
| 3 | [Q[1][Q[3][Q[6]   | [d 01 .Q3     | 01 03 06 |
| 4 | [ ]               | [t hh .mm ].s | hh mm ss |
| 5 | [1][6][3][Q[3][5] | [t 16 .3Q     | 16 30 35 |
| 6 | [ ]               | [pass *]*     |          |

5

1 [ ][Q  
2 [ ][1]  
3 [ ][2]  
4 [ ][3]

6

1. 15 RS232 ,  
2.  
3.  
1) tyPE mode  
2)  
..... [ ] ,  
3)  
..... [ ]  
[dO \*\*.].\*\* [ ]  
[d \*\*.].\*\* [ ]

IME-RE0110

```

1 [ ] PP1
2 [ ] PP1
3 [ ] PP1
4 [ ] PP1
5 [ ] PP2

```

|                     |              |  |
|---------------------|--------------|--|
|                     |              | .  |
|                     | [ pass * ]*  |  |
| [ ]                 | [ test ]     |  |
| [0]                 | [ test ]     |  |
| [ ]                 | [ pp2 * * ]* | " PP2<br>a*****  |
| [8] [2] [2]         | [ pp2 00\$   | " PP1 " PP2 822  |
| [ ]                 | [ lock lab   | <pre> └─“ ” ” ” a-[ ] b-[ ] c-[ ] d-[ ] e-[ ] 1 0 a=1 e=0 </pre> |
| [1][1]<br>[1][1][1] | [ lock 1 1]1 | “ ” ” ”  |
| [ ]                 | [ pp1n ----] | " PP1  |
| [ ]                 | [ pp1r ----] |  |
| [ ]                 | [ pp2n ----] | " PP2  |
| [ ]                 | [ pp2r ----] |  |
| [ ]                 | [ test ]     |  |

- (1) [-----]: 10
- (2) [ print]:
- (3) [no ]:
- (4) [end ]:
- (5) [sure ]:\*
- (6) [err ]:p
- (7) [err ]D6
- (8) [err 3]:
- (9) [err ]32  
[ ] [5]
- (10) [err ]33  
[ ] [ ] [ ]